

LUG SIZE:

H LUGS: 2/0-14 (QTY: 3; 1 PER TERMINAL)

X LUGS: 350-6 (QTY: 4; 1 PER TERMINAL)

REV	DATE	DESCRIPTION	BY
E		ADDED LUG AND EF. INFO	MO
D		CoM DIMENSIONS ADDED	MO
C		DEPHT DIMENSION ADDED	CS
B		REPLACED NAMEPLATE	AG
A		INITIAL RELEASE	

FINISH:

DRAWN DATE

CHECKED DATE

TOLERANCES UNLESS OTHERWISE SPECIFIED

2-PL ± .02
 3-PL ± .005
 HOLES ± .030
 ANGLES ± 1°

REMOVE ALL BURRS

SCALE

NTS

DRAWN BY

AS

CHK'D BY

RZ

WEIGHT:



**OVERALL ASSEMBLY
 75KVA TRANSFORMER
 27" ENCL.**

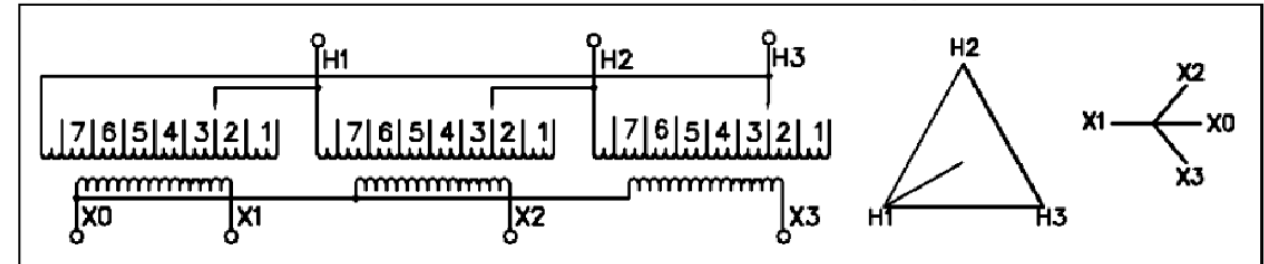
1 OF 2

PART NO.
423-9234-000-CD

kVA 75
Phase 3
Hz 60
%IZ 4.7
Rise 150 °C
Ins. Class 220 °C
Weight 610 lbs
Class AA
Wdg. Mtl. Al

High Voltage: 480 Delta

Low Voltage: 208Y/120



High Voltage: Lines on H1, H2, H3

Connect	1	2	3	4	5	6	7
Volts	504	492	480	468	456	444	432

Low Voltage: Lines on X1-X2-X3

Line - Line	Line - Neutral
208 V	120 V

SEISMIC
QUALIFIED to IBC, CBC
SDS=2.00g, z/h=1.0, 1p=1.5
Rigid Floor Mounted
OSHPD OSP-0109-10

Meets DOE-2016
Efficiency

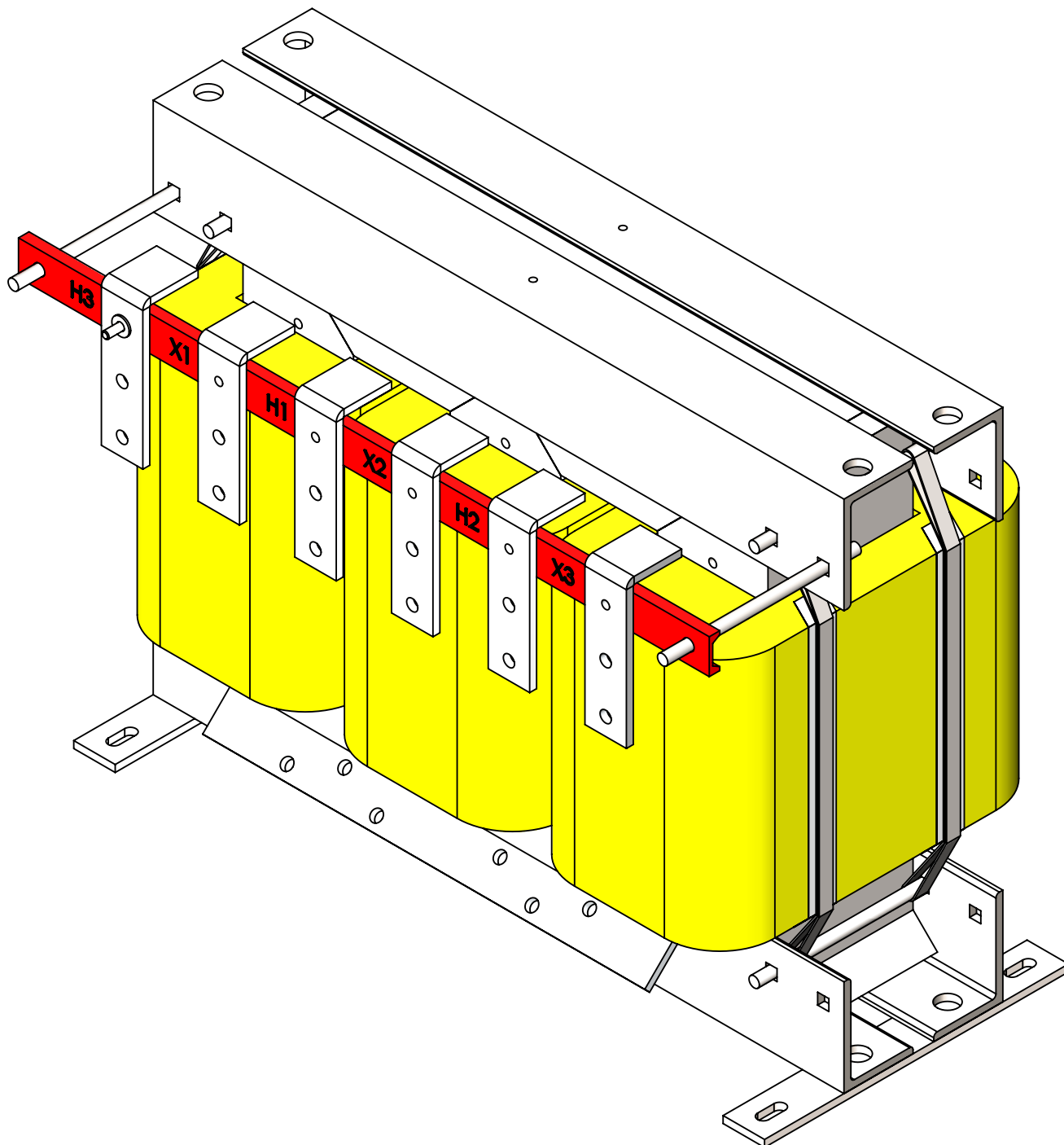
423 Series

Outdoor Type 3R

Datecode: r1804

Job#: 1ER

SN: 0001



NOTE:
MINIMUM EFFICIENCY (35%) = 98.60
SOUND = 50db MAX.
PRIMARY AND SECONDARY MEETS
10KV BIL



OVERALL ASSEMBLY
75KVA TRANSFORMER
27" ENCL.

FINISH:	TOLERANCES UNLESS OTHERWISE SPECIFIED		SHEET
	2-PL	± .02	
DRAWN DATE	3-PL	± .005	DRAWN BY
	HOLES	± .030	
CHECKED DATE	ANGLES	± 1°	CHK'D BY
	REMOVE ALL BURRS		
WEIGHT:	SCALE	NTS	PART NO.
			E

2 OF 2