

General Electric

CR306A Motor Starter FVNR NEMA Size 00

Max 2 HP at 480V

Coils (For 60 Hz)

(not visible)

Series A1 & B1

24 VAC: 55-153472G024

120 VAC: 55-153472G002

208 VAC: 55-153472G023

240 VAC: 55-153472G003

480 VAC: 55-153472G004

600 VAC: 55-153472G005

Main Contact Kit

(not visible)

Series A1 & B1

GE Part: 55-152313G009

Adder Block Auxiliary Contact

N.O.: CR305X100D

N.C.: CR305X100E



Basic Block Auxiliary Contact

N.O.: CR305X100A

N.C.: CR305X100B

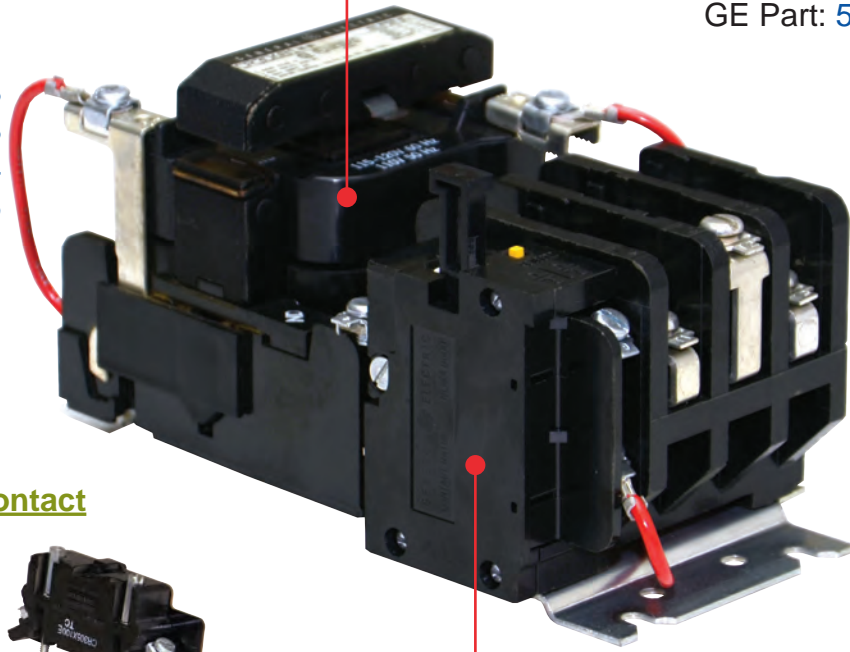
N.O./N.C.: CR305X100C



Block Overload Relay

Non-Compensated
w/ NC contact plus isolated NO contact
Assembly - 3 Element
3-Pole: CR324C360F

Thermal units, solid state and bi-metal
overload relays also available.



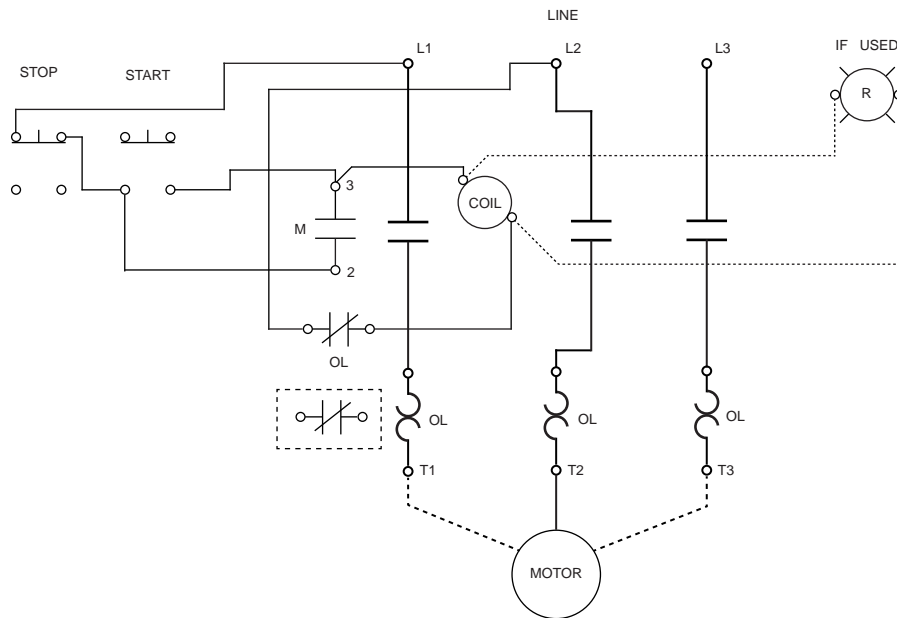
General Electric CR306 Series

3-Phase, 3-Wire System
Magnetic Starters



800.476.1486
www.southlandelectrical.com

Wiring Diagram
NEMA Size 00 to 5



SOUTHLAND PRODUCTS

PLC's VFD's Sensors



Insulated & Molded Case



Air Circuit Breakers



Transformers



Remote Operators



Motor Starters



Bus Duct & Plugs



Custom Control Panels



Motor Control Centers



Service Entrance Equipment



Southland Electrical Supply is not an authorized distributor for Allen Bradley, Cutler Hammer, General Electric, Siemens, Square D, or Westinghouse. Our inventory consists of all brands and vintages including obsolete items that are not stocked by ordinary supply houses.